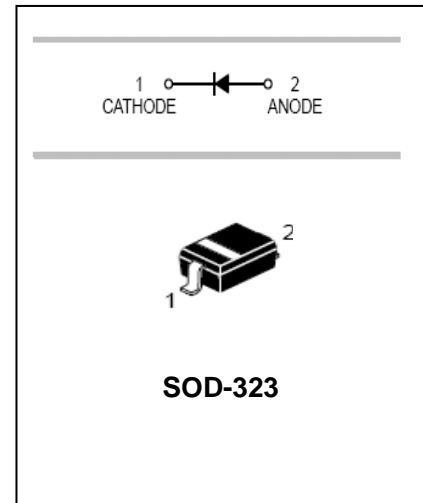


## General purpose PIN Diode

## BAP51-03

### FEATURES

- Low diode capacitance
- Low diode forward resistance
- General purpose PIN diode in a SOD-323 small plastic SMD package



### APPLICATIONS

- General RF application

### ORDERING INFORMATION

Type No.	Marking	Package Code
BAP51-03	A5	SOD-323

### MAXIMUM RATING @ Ta=25°C unless otherwise specified

Parameter	Symbol	Limits	Unit
Continuous reverse voltage	$V_R$	60	V
Continuous forward current	$I_F$	60	mA
Power Dissipation	$P_d$	500	mW
Thermal Resistance Junction to Ambient	$R_{\theta JA}$	85	°C/W
Junction temperature	$T_j$	-65 to +150	°C
Storage temperature	$T_{stg}$	-65 to +150	°C

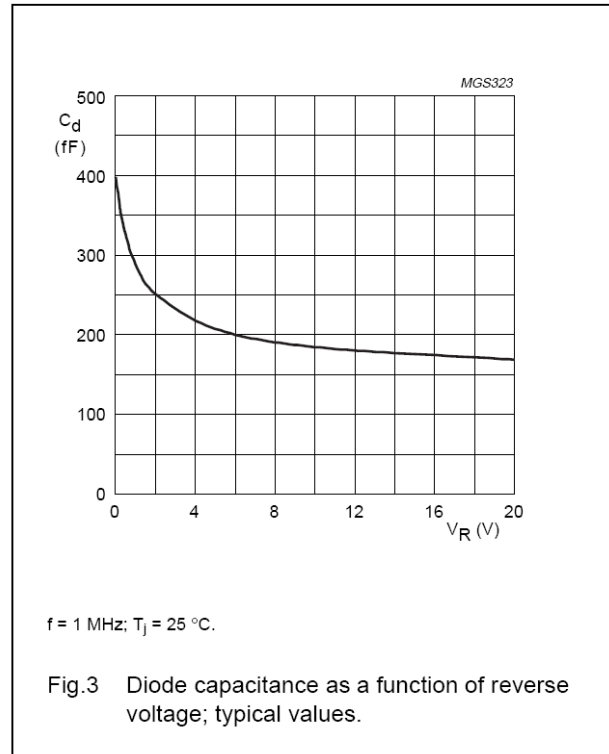
### ELECTRICAL CHARACTERISTICS @ Ta=25°C unless otherwise specified

Parameter	Symbol	Min.	Typ.	Max.	Unit	Conditions
Continuous reverse voltage	$V_R$	50			V	$I_R=10\mu A$
Forward voltage	$V_F$		0.95	1.1	V	$I_F=50mA$
Reverse current	$I_R$			100	nA	$V_R=50V$
Diode capacitance	$C_{d1}$		0.4		pF	$V_R=0V, f=1MHz$
	$C_{d2}$		0.3	0.55	pF	$V_R=1V, f=1MHz$
	$C_{d3}$		0.2	0.35	pF	$V_R=5V, f=1MHz$
Diode forward resistance	$r_D$		5.5	9	$\Omega$	$I_F=0.5mA, f=100MHz$
	$r_D$		3.6	6.5	$\Omega$	$I_F=1mA, f=100MHz$
	$r_D$		1.5	2.5	$\Omega$	$I_F=10mA, f=100MHz$

General purpose PIN Diode

**BAP51-03**

TYPICAL CHARACTERISTICS @ Ta=25°C unless otherwise specified



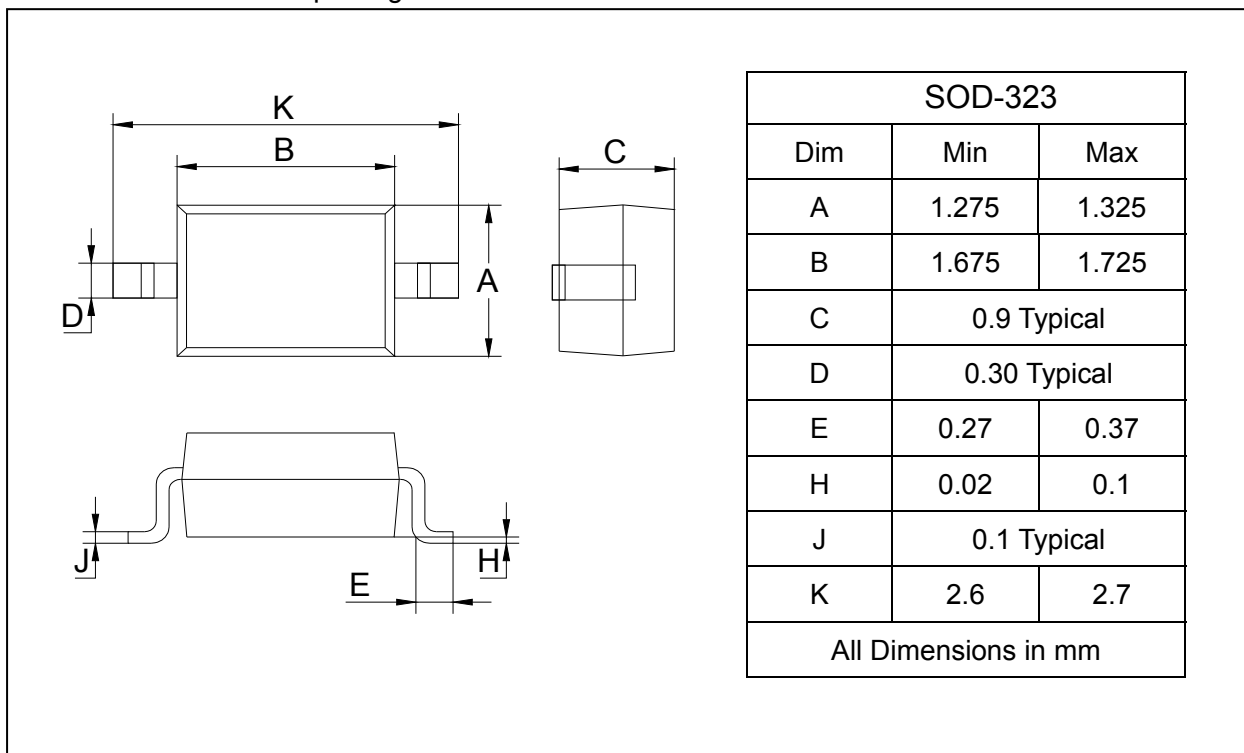
**General purpose PIN Diode**

**BAP51-03**

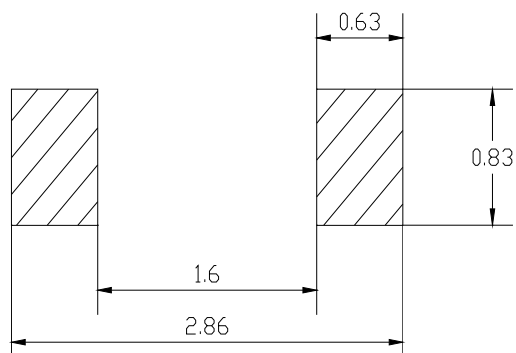
**PACKAGE OUTLINE**

Plastic surface mounted package

SOD-323



**SOLDERING FOOTPRINT**



Unit : mm

**PACKAGE INFORMATION**

Device	Package	Shipping
BAP51-03	SOD-323	3000/Tape&Reel